

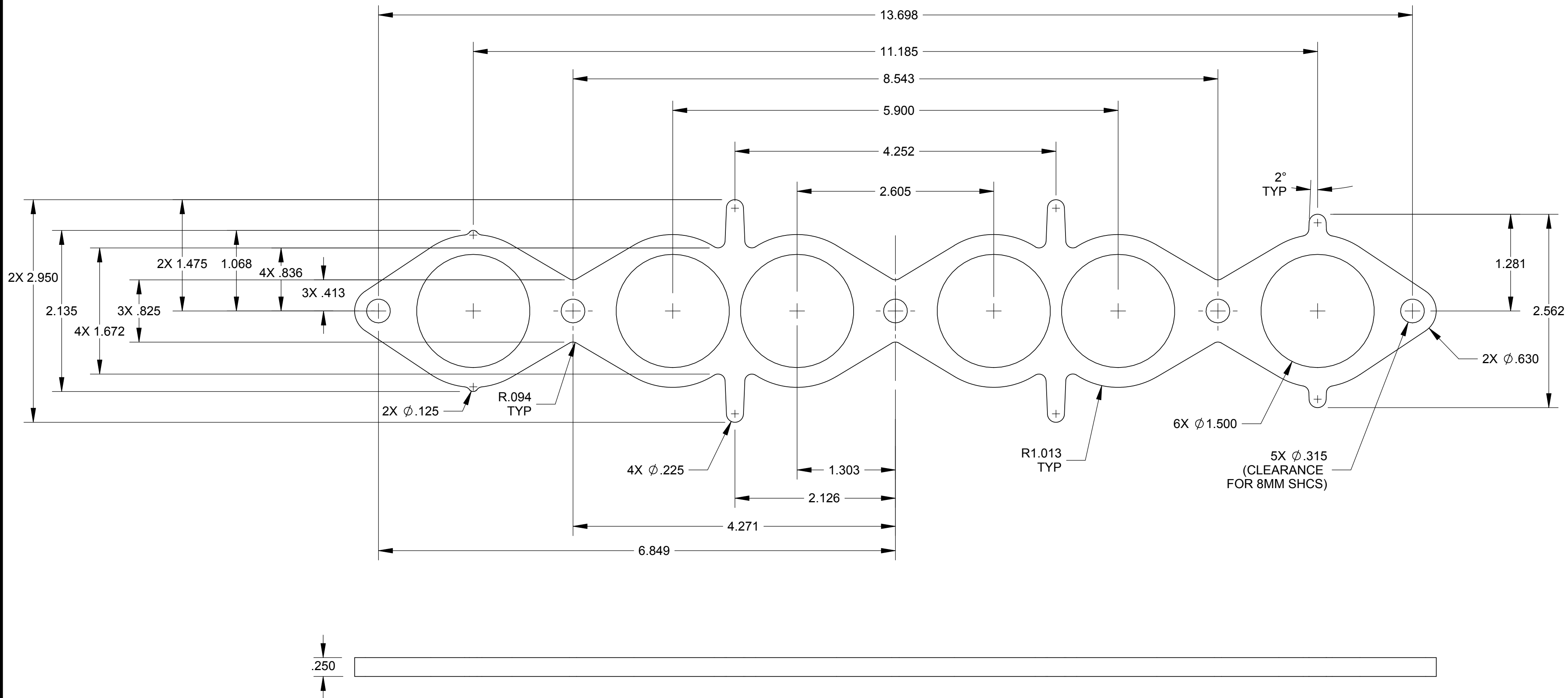
4

3

2

1

E.O.		REVISIONS	
E.O.	LTR	DESCRIPTION	DATE
			APPROVED



NOTES:

- PART TO BE SUPPLIED CLEAN AND BURR FREE.
- ALL VERTICAL LINEAR DIMENSIONS ARE FROM EDGE OF RADII DIMENSIONED, NOT CENTER.

MATERIAL		UNLESS OTHERWISE SPECIFIED		SIGNATURES		DATE		KAY DESIGNS	
6061 ALUMINUM		ALL DIMENSIONS ARE IN INCHES		DRAWN M.KAY		12-30-07			
SPECIFICATIONS		TOLERANCES		CHECKED				NAME	
		DECIMAL ± .010 FRACTIONAL ± 1/64		ENGRG				LOWER INTAKE FLANGE	
		ANGLES ± 2°		MFG				SIZE	
		125 ✓ CASTING & FORGING 125 ✓ DRILLED HOLES 250 ✓						CAGE CODE	
		DIMENSIONS LOCATING TRUE POSITION ARE BASIC						DWG. NO.	
NEXT ASSY		USED ON		SIMILAR TO				Z31-0001	
APPLICATION		REFERENCE CUSTOMER OR CAT. NO.						SCALE 1:1	
								WT.	
								SHEET	

Z31-0001

B

A